



Straightaway 250

Sliding & Folding Door Systems



Product Overview

The Straightaway 250 is a sophisticated and versatile top hung system designed for heavy duty sliding doors up to 250kg. The system can easily accommodate large sliding doors in a variety of architectural openings and is supplied with four wheeled hangers incorporating nylon coated wheels and precision ball bearings.

Features

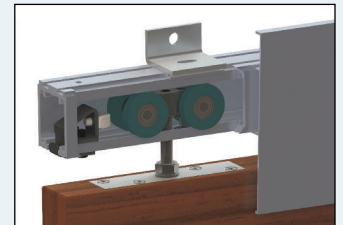
- Tracks can be ceiling mounted or face fixed
- No recessed floor tracks required
- Hangers manufactured with zinc cast solid bodies and delrin nylon outer wheels complete with precision ball bearings to ensure smooth and silent operation
- Variable height adjustment on doors
- Fittings available for timber, aluminium or metal doors

Technical Specifications

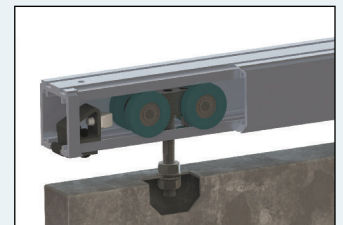
- Maximum door weight: 250kg
- Maximum door height: 4000mm
- Door Thickness: 35 – 55mm
- Track Dimensions: 51mm (w) x 55mm (h)



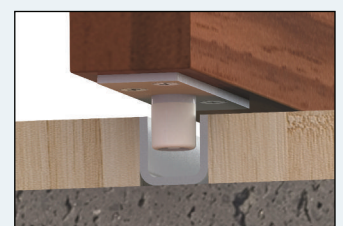
Recessed floor guide and channel for metal doors



Wall fixed track c/w fascia, hanger and apron plate for timber door



Soffit fixed track c/w hanger for metal door



Recessed floor guide and channel for timber door



STRAIGHTAWAY 250

Maximum door weight 250kg

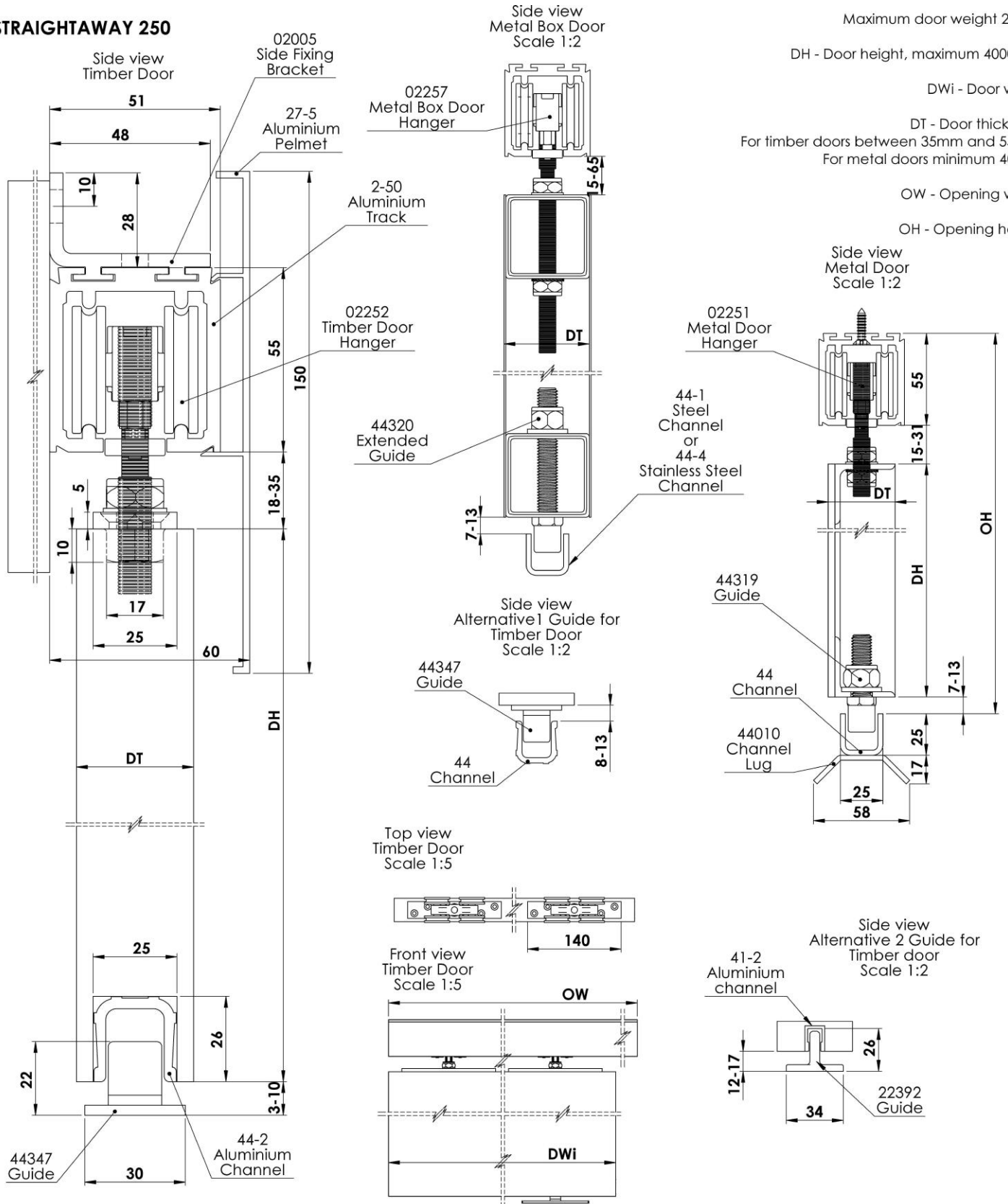
DH - Door height, maximum 4000mm

DWi - Door width

DT - Door thickness,
For timber doors between 35mm and 55mm
For metal doors minimum 40mm

OW - Opening width

OH - Opening height



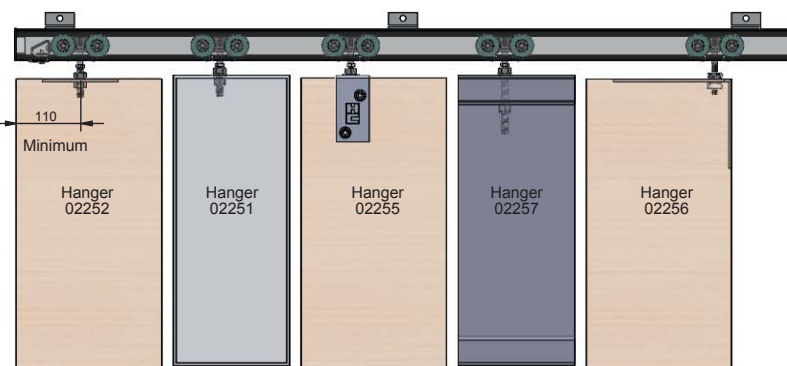
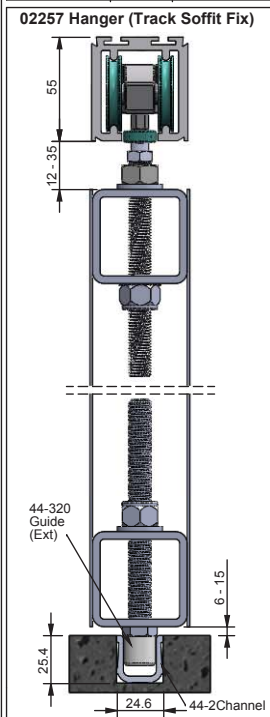
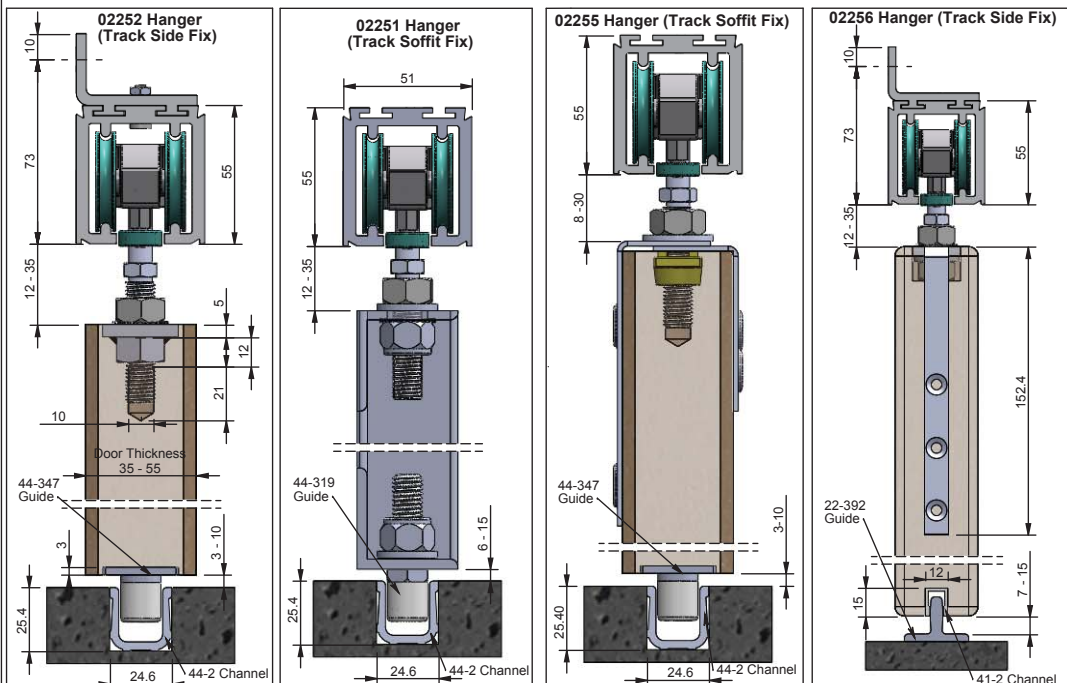
For further information on our products and services:
Tel: +44 (0)20 8545 6680 sales@coburn.co.uk www.coburn.co.uk

7cVi fb 'G']X]b['GnHYa g@a]HX
Unit 1, Cardinal West, Cardinal Way, Cardinal Distribution Park,
Godmanchester, Huntingdon, Cambridgeshire, PE29 2XN United Kingdom.

Dealer Stamp

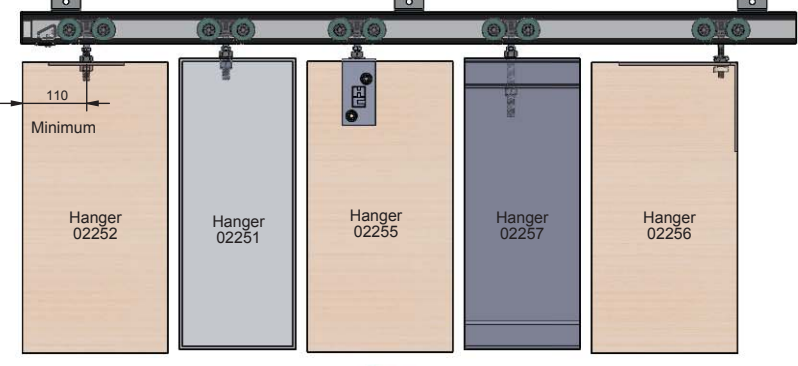
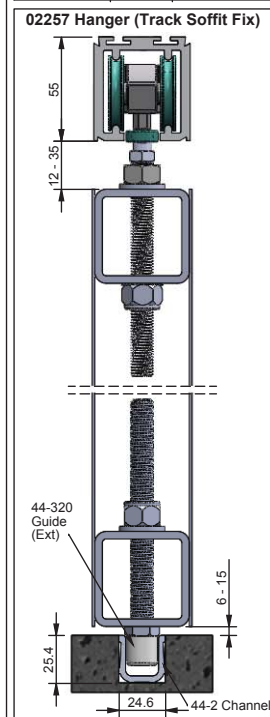
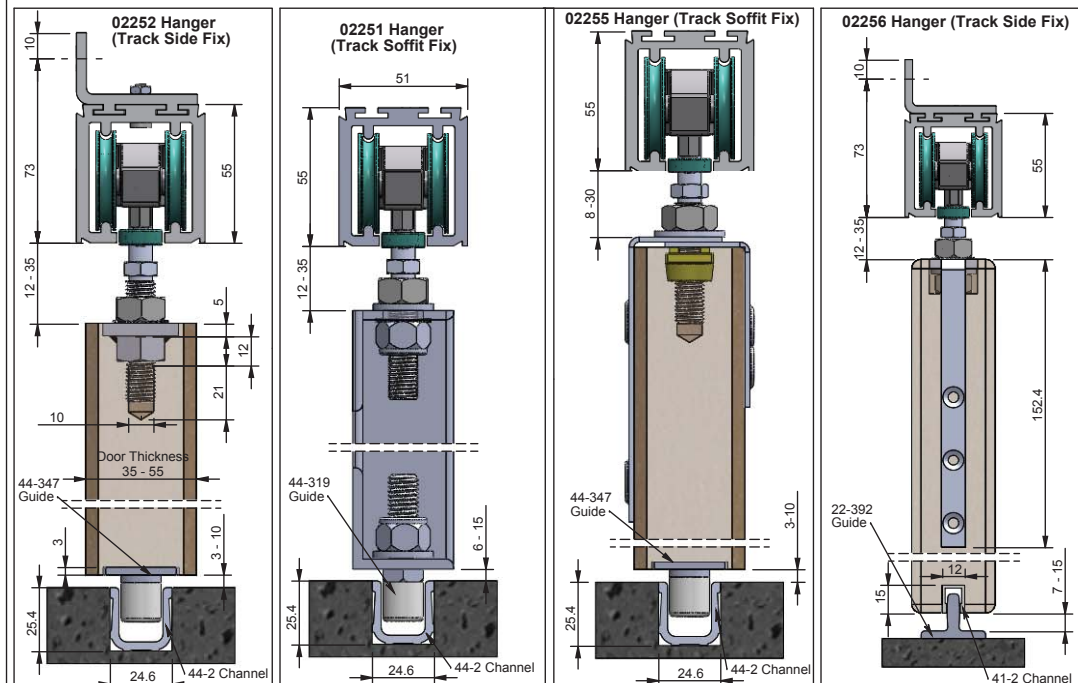
STRAIGHTAWAY 250 Fitting Instructions

Max weight: 250Kg, Max height:4m, Thickness: 35-55mm



STRAIGHTAWAY 250 Fitting Instructions

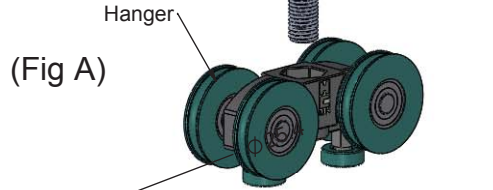
Max weight: 250Kg, Max height:4m, Thickness: 35-55mm



Addition of half nuts on the hanger Assembly:

Before inserting pendant bolt into the hanger, put half nuts part no: 03025.131(see fig A) on to the pendant bolt and then insert pendant bolt through centre hole of the hanger.

Hangers required half nut:
02251
02252
02255
02256



(Fig A)

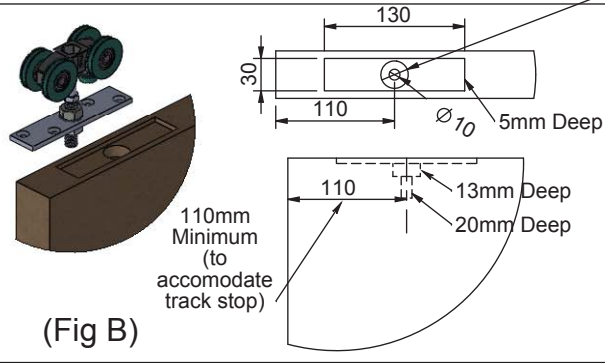


Fig B: Cut out for the hanger no: 02252

(Fig B)

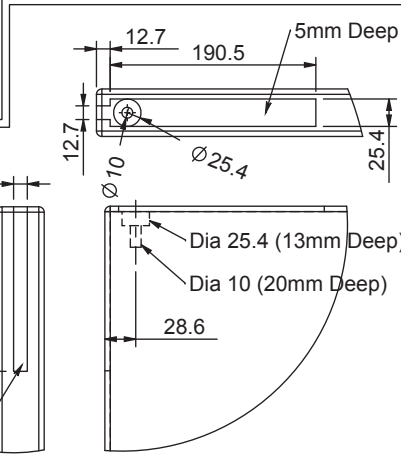


Fig C: Cut out for the hanger no: 02256

(Fig C)

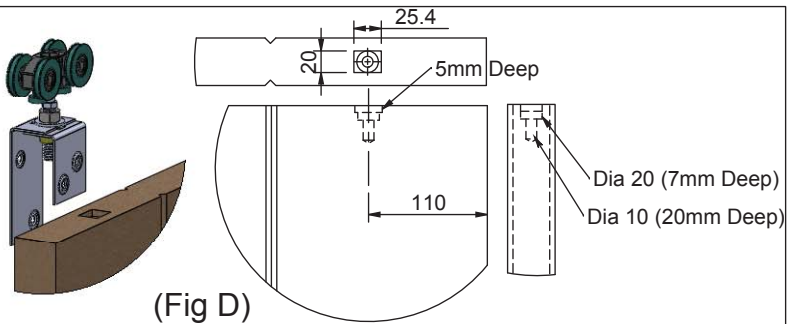


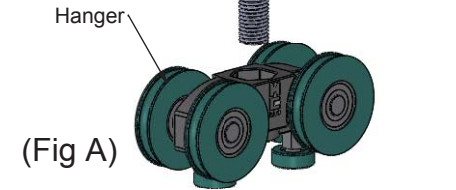
Fig D: Cut out for the hanger no: 02255

(Fig D)

Addition of half nuts on the hanger Assembly:

Before inserting pendant bolt into the hanger, put half nuts part no: 03025.131(see fig A) on to the pendant bolt and then insert pendant bolt through centre hole of the hanger.

Hangers required half nut:
02251
02252
02255
02256



(Fig A)

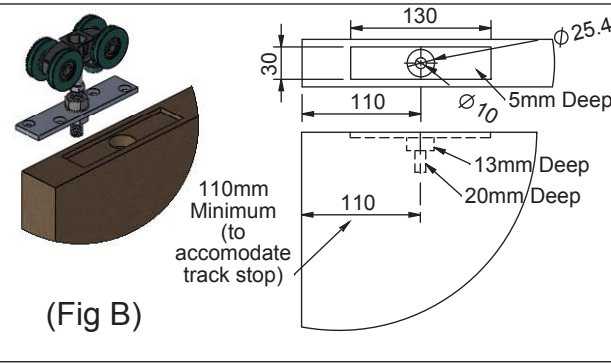


Fig B: Cut out for the hanger no: 02252

(Fig B)

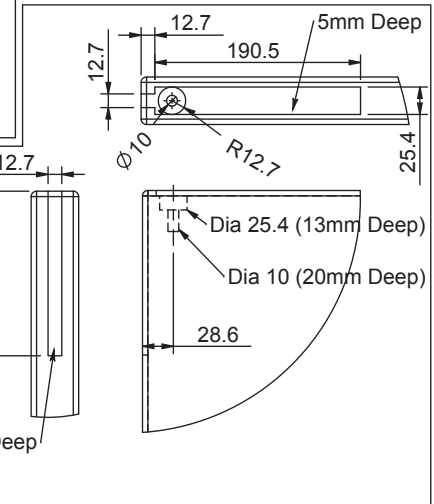


Fig C: Cut out for the hanger no: 02256

(Fig C)

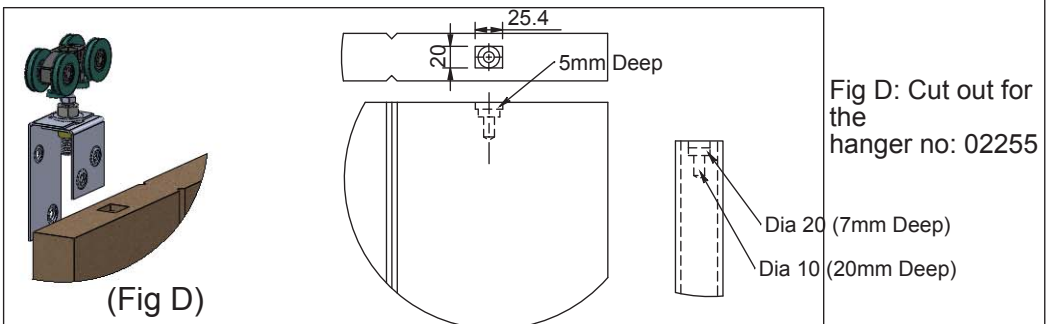


Fig D: Cut out for the hanger no: 02255

(Fig D)